

Read Instruction manual carefully to ensure proper installation.  
Please keep this instruction manual for future using!

## ⚠ WARNING

To avoid the risk of fire, or electric shock this product should be installed, inspected, and maintained by a qualified electrician only. Installation should be completely by an individual familiar with the construction and operation of the luminaire. Installation of luminaire must be in accordance with nation and local building and electrical codes.

### Safety Warning:

To avoid electric shock:

Be certain electrical power is OFF before and during installation and maintenance.

Luminaire must be supplied by a wiring system with an equipment grounding conductor.

To avoid burning hands:

Make sure lens and housing are cool when performing maintenance.

To avoid product degradation:

Make sure the wire supply voltage is the same as the luminaire supply

Use proper supply wiring as specified on the luminaire nameplate.

Avoid use in environments containing sulfur, chlorine, or other halides, methyl acetate or ethyl acetate, cyanoacrylates, glycol ethers, formaldehyde or butadiene.

### Notes:

Instructions do not cover all details and all possible product configurations.

Do not restrict luminaire ventilation.

Ensure LED luminaire is not covered with material that will prevent convection or conduction cooling.

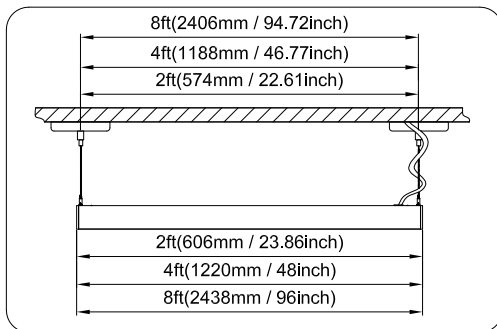
Ensure LED luminaire has the correct polarity before installation

Avoid exposing wiring to metal edges and sharp objects.

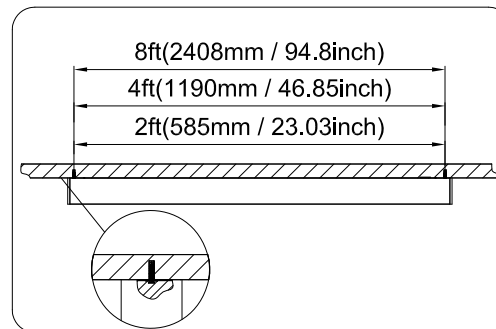
### Maintenance:

Perform visual, electrical, and mechanical inspections on a regular basis. The environment and frequency of use should determine this. However, it is recommended that checks be made at least once a year. Electrically check to make sure that all connections are clean and tight. Mechanically check that all parts are properly assembled.

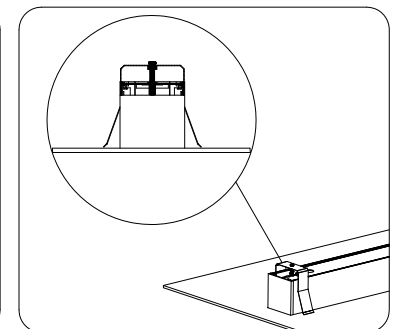
#### ■ Installation Dimension (suspended)



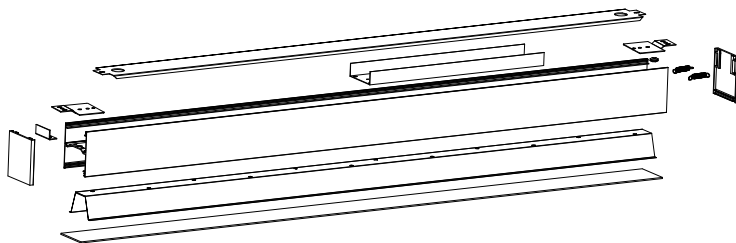
#### ■ Installation Dimension (surface mounted)



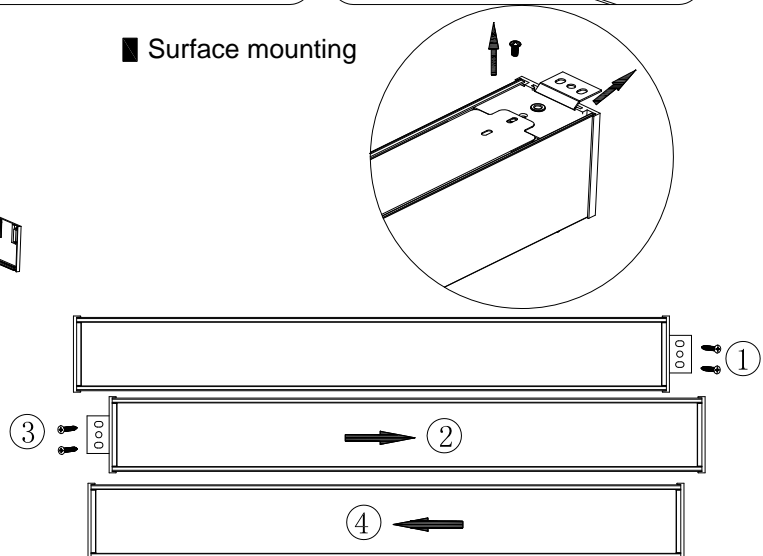
#### ■ Recessed



#### ■ Exploded Views



#### ■ Surface mounting



**Note:** Before surface mounting, please unscrew the ballast cover in white and the mounting plate in silver

- 1) Slide the mounting plate in silver out of fixture and screw it on the place you need
- 2) Then slide the fixture to cover the silver mounting plate
- 3) Screw the silver mounting plate on other end
- 4) Slide the fixture back to cover the silver mounting plate on the end

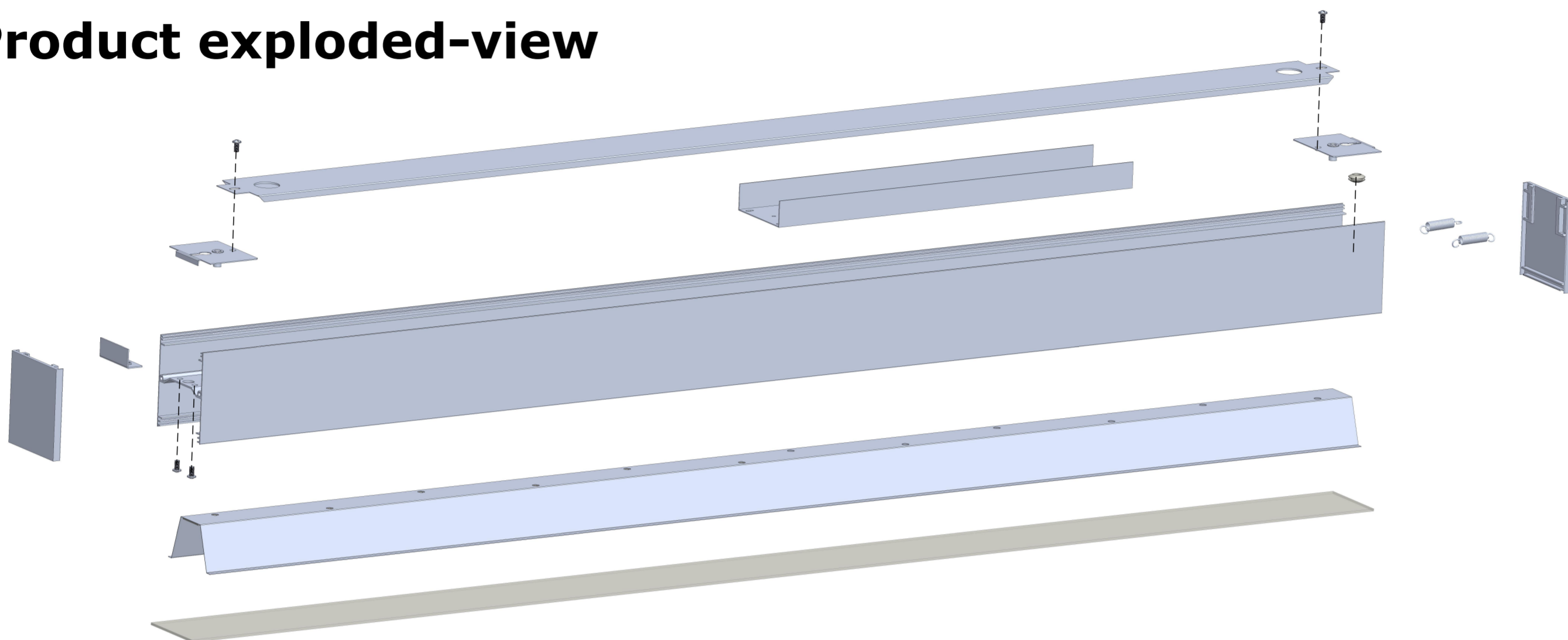
# Instruction

**WARNING** – Risk of fire or electric shock. Luminaire wiring and electrical parts may be damaged when drilling for installation of LED retrofit kit. Check for enclosed wiring and components.  
"WARNING "C Risk of fire or electric shock. LED Retrofit Kit installation requires knowledge of luminaires electrical systems. If not qualified, do not attempt installation. Contact a qualified electrician.  
"WARNING – Risk of fire or electric shock. Install this kit only in luminaires that have the construction features and dimensions shown in the photographs and/or drawings and where the input rating of the retrofit kit does not exceed the input rating of the luminaire.  
Only those open holes indicated in the photographs and/or drawings may be made or altered as a result of kit installation. Do not leave any other open holes in an enclosure of wiring or electrical components.  
"WARNING "C To prevent wiring damage or abrasion, do not expose wiring to edges of sheet metal or other sharp objects.  
THIS DEVICE IS NOT INTENDED FOR USE WITH EMERGENCY EXITS.

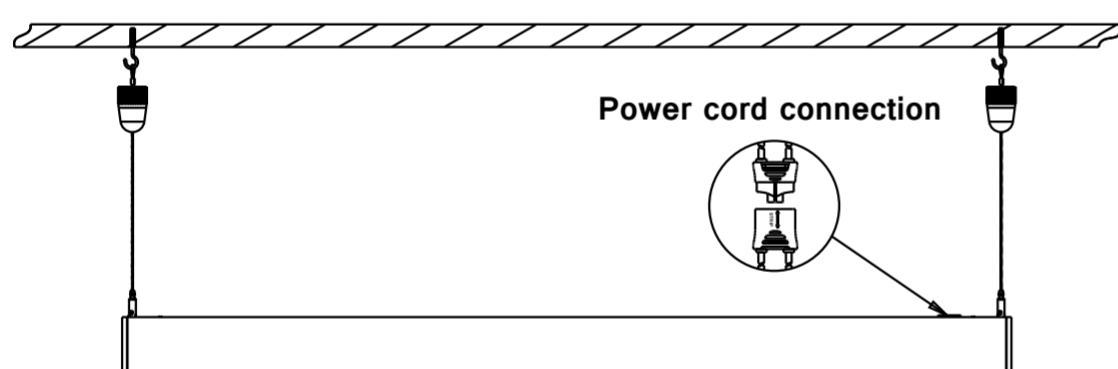
## Safety Warning

1. Cut off the power supply while replacing or maintaining the product in case of the electric shock.
2. Reconstruction of the product is not allowed in order to avoid the electric shock & fire accident happened.
3. When the product to be occurred the unusual situations, please cut off the power supply ASAP, and call the professional electrician to inspect it.
4. The working voltage range of the product is AC120–277V, Frequency is 50/60Hz.
5. Please call the professional person to install the product in order to avoid the improper installation and initiates crashes electric shock and other accidents.
6. No matter in any situation happened; the product cannot be covered by the insulation blanket or similar material.
7. Please do not install the product in the inclined place or the unstable ceiling.

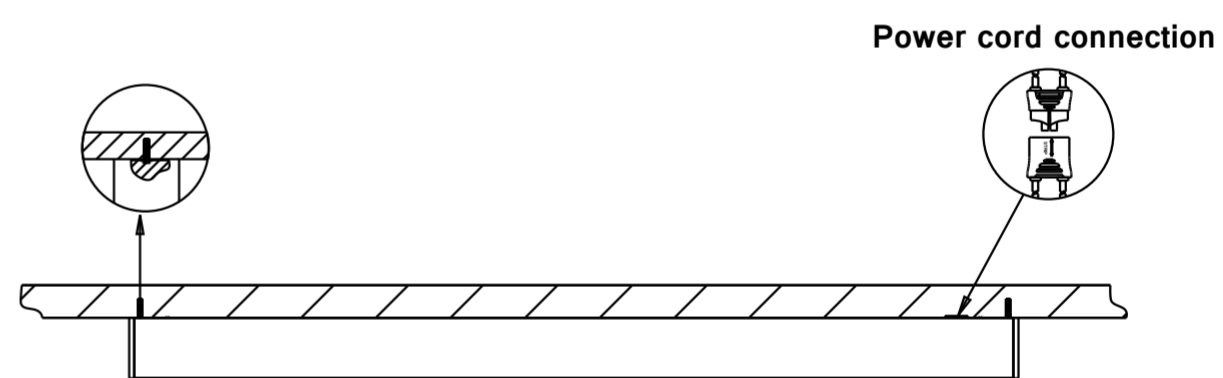
## Product exploded-view



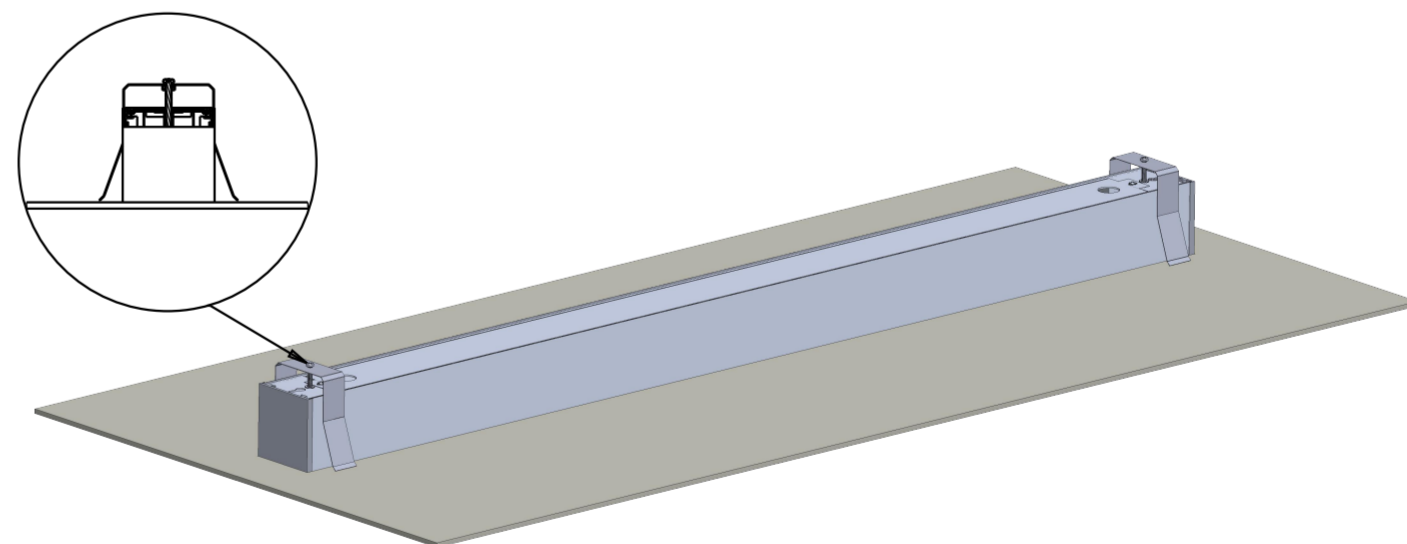
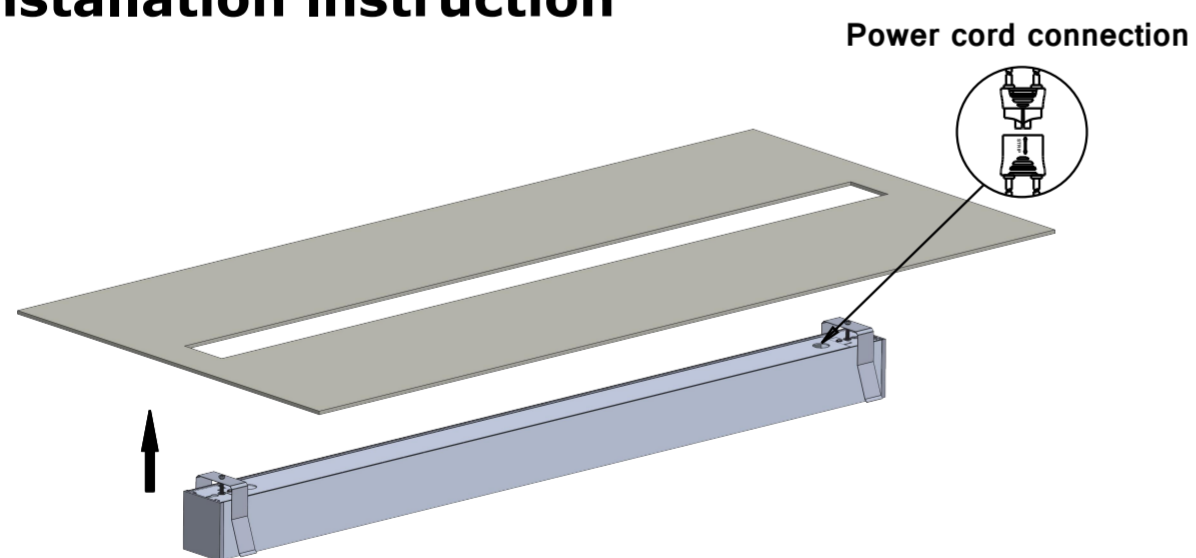
## Pendant Installation Instruction



## Surface Mounted Installation Instruction

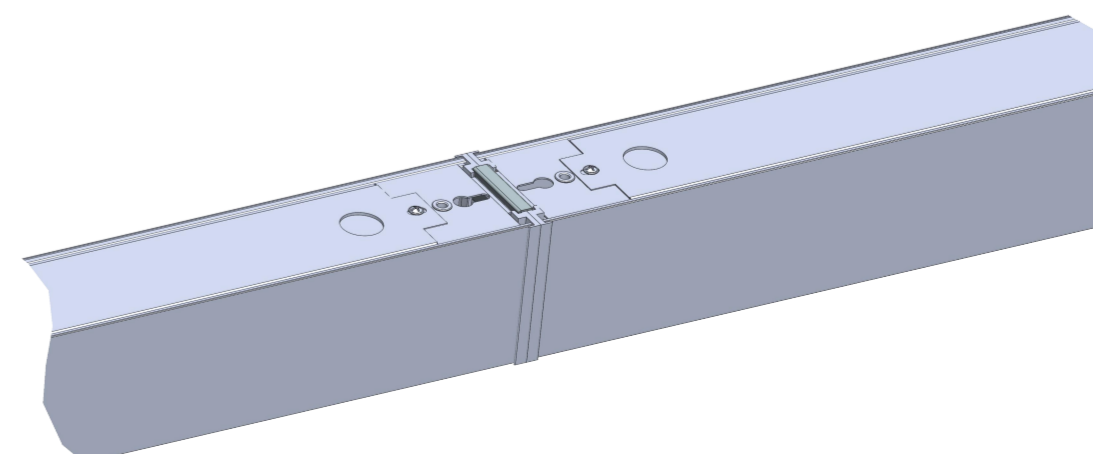
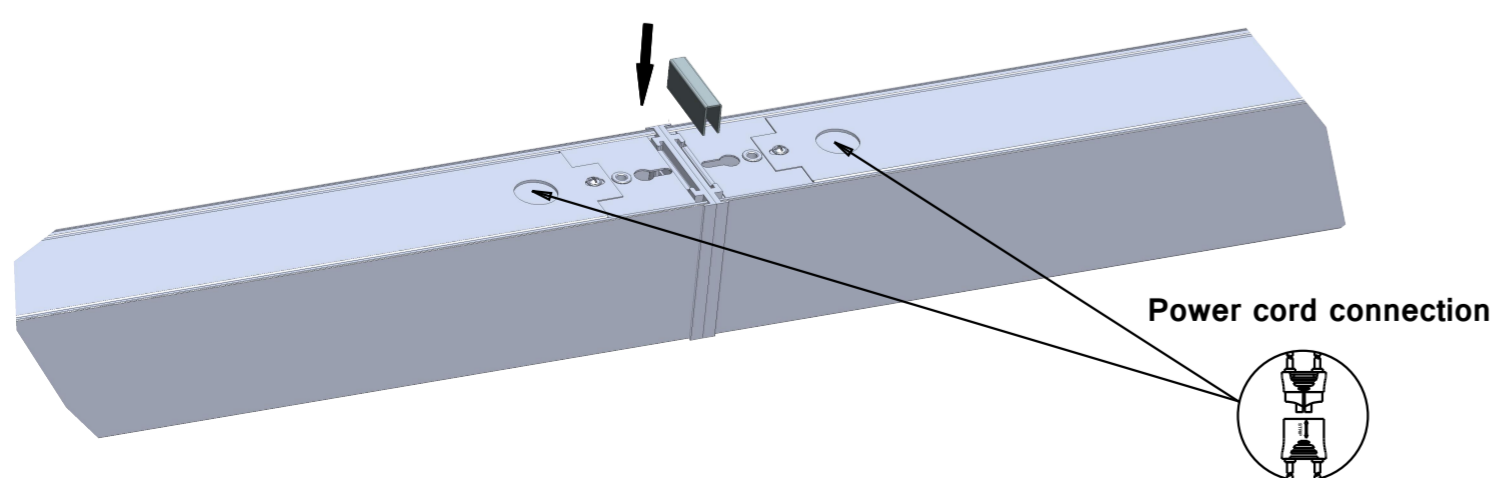


## Recessed Installation Instruction



Sketch

## Two Fixtures Installation Instruction



Sketch